

# MTE-1200

Master Series Roll-Over/Fold & Tuck Style  
Tray Erector

# ARPAC®

A DURAVANT COMPANY



## MACHINE FEATURES

- Heavy-duty rugged construction designed for high durability and around-the-clock operation
- Laser cut and CNC machined components for maximum precision
- Powder coat finish that provides a durable scratch resistant surface and prevents corrosion
- 150 capacity blank hopper - easy to load and adjust
- Positive blank control with Venturi vacuum pull-down system
- Dual stage folding sequence assures controlled folding of the trays
- Tool-less changeovers with scales for setup repeatability
- Allen-Bradley® PanelView 600Plus operator interface with color touchscreen, message display and self-diagnostics
- Clear Lexan guard doors with interlocking safety system for operator protection and easy access
- On-demand product release photo sensor
- Compact 6' by 6' footprint
- Emergency stop on the control panel

## SPECIFICATIONS

### Speed

- Up to 25 trays per minute

### Power Requirements

#### Electrical

- 115VAC, 1Ph, 5A, 60Hz, 0.575kW
- Other voltages available on request

#### Pneumatic

- 80 psi, 1 cubic foot per cycle

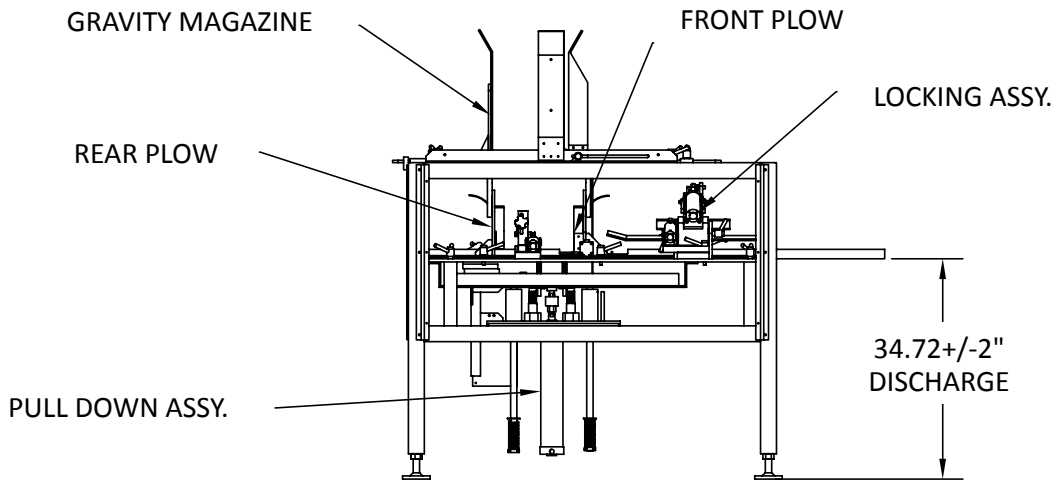
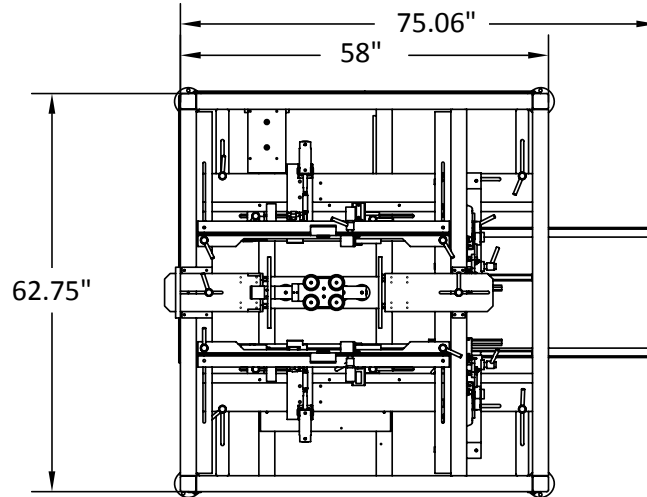
### Tray Sizes

- Width: 6"-30"
- Length: 5" to 20"
- Height: 1.75" to 5"
- Max blank side: 41" L x 26" W

\* Other sizes available on request Not all values can be combined. Contact factory with blank samples for evaluation and quotation.



Note: Final Layout May Vary



#### OPTIONS

- Machines can be customized to handle tray sizes outside standard specifications
- Additional e-stops can be added upon request
- Stack light provides visual indication of machine operating status
- Casters for machine portability
- Spare parts kit
- Preventive maintenance contracts

**Complete Aftermarket  
Service & Support  
for Your Packaging  
Equipment**

**SUPPORTPRO™**

A DURAVANT SERVICE

Call **844.777.8776** for your regional tech

**24/7 Help Available**



THE DURAVANT FAMILY OF COMPANIES

ARPAC | FISCHBEIN INTERNATIONAL | FMH CONVEYORS | HAMER-FISCHBEIN | KEY TECHNOLOGY | MARLEN INTERNATIONAL | MESPACK | OHLSON | QC INDUSTRIES

[www.duravant.com](http://www.duravant.com)