

# MBE-1200

## Master Series Box Erector

# ARPAC®

A DURAVANT COMPANY



### MACHINE FEATURES

- Heavy-duty rugged construction designed for high durability and around-the-clock operation
- Laser cut and CNC machined components for maximum precision
- Powder coat finish that provides a durable scratch resistant surface and prevents corrosion
- 150 capacity blank feed hopper - easy to load and adjust
- Positive blank control with Venturi vacuum pull-down system
- Tool-less changeovers with scales for setup repeatability
- Allen-Bradley® PanelView 600Plus operator interface with color touchscreen, message display and self-diagnostics
- Emergency stop on the control panel
- On-demand product release photo sensor

### SPECIFICATIONS

#### Speed

- Up to 15 cycles per minute

#### Power Requirements

##### Electrical

- 115VAC, 1Ph, 5A, 60Hz, 0.575kW
- Other voltages available on request

##### Pneumatic

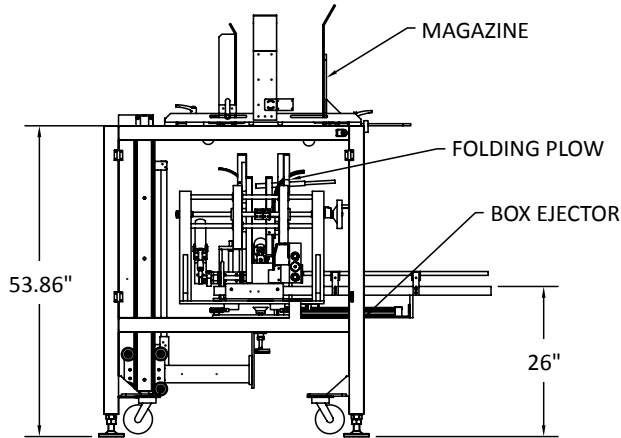
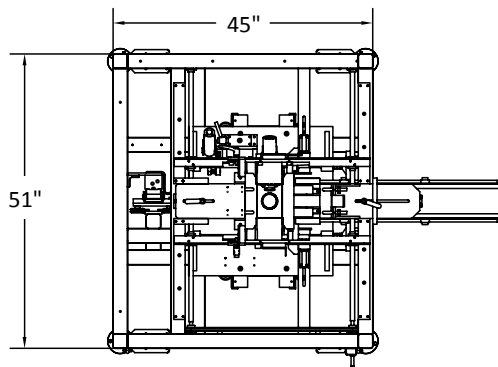
- 80 psi, 1.25 cubic feet per cycle

#### Box Sizes\*

- Width: 5"-11"
- Length: 5"-7"
- Height: 2.5"-4"
- F max: 3.75"
- Max. blank size: 27"W x 22"L

\* Other sizes available on request. Not all values can be combined. Contact factory with blank samples for evaluation and quotation.

Note: Final Layout May Vary

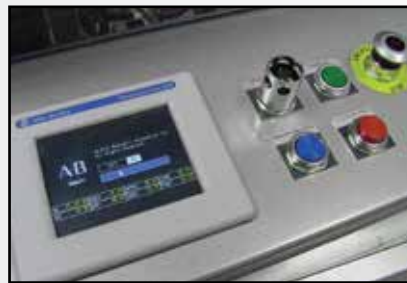


## OPTIONS

- Machines can be customized to handle box sizes outside standard specifications
- Extended outfeed
- Additional e-stops can be added upon request
- Stack light provides visual indication of machine operating status
- Casters for machine portability
- Spare parts kit
- Preventive maintenance contracts



Quick & Easy Adjustments



User-Friendly Operation Controls



Blank Feed Hopper

**Complete Aftermarket  
Service & Support  
for Your Packaging  
Equipment**

# SUPPORTPRO™

A DURAVANT SERVICE

Call **844.777.8776** for your regional tech

**24/7 Help Available**



THE DURAVANT FAMILY OF COMPANIES

ARPAC | FISCHBEIN INTERNATIONAL | FMH CONVEYORS | HAMER-FISCHBEIN | KEY TECHNOLOGY | MARLEN INTERNATIONAL | MESPACK | OHLSON | QC INDUSTRIES

[www.duravant.com](http://www.duravant.com)