

HCF SERIES

Bottom Overlap Horizontal Shrink Wrapper
For Oversized Product

ARPAC®

A DURAVANT COMPANY



APPLICATIONS

- Doors
- Ceiling tiles
- Pizza boxes
- Windows
- Insulation
- Rubber mats
- Rolls of grass
- Trays of crackles

MACHINE FEATURES

- Heavy-duty rugged construction designed for high durability and around-the-clock operation
- Laser cut and CNC machined components for maximum precision and strength
- Baked on powder coat paint provides a durable scratch resistant surface and prevents corrosion
- Allen-Bradley® PanelView 600Plus operator interface with color touchscreen, message display and self-diagnostics
- Digital controls ensure fast and accurate setup of conveyor speeds, timing, and temperature settings when changing product size and film
- Self-tracking conveyor belts
- Side mounted dual roll film cradle for easy loading
- Interchangeable film former system
- Powered variable speed pinch roll film feed system for positive film feed
- NEMA12 main electrical cabinet and controls
- 1HP variable speed conveyor drive motor
- Plasma coated hot knife seal bar
- Film rack and electrical box can be placed on either side of the machine
- Film forming plow
- Adjustable product infeed side guides
- Quick-change seal jaws
- Seal jaw obstruction sensors

SPECIFICATIONS

Speed

- Up to 15 packages per minute (based on product specifications)
- Max. belt speed: 68FPM

Power Requirements

Electrical

- 240V, 3Ph, 60Hz, 14A (HCF37), 480V, 3Ph, 60Hz, 7A (HCF48)

Pneumatic

- 60-80 psi, 5 CFM

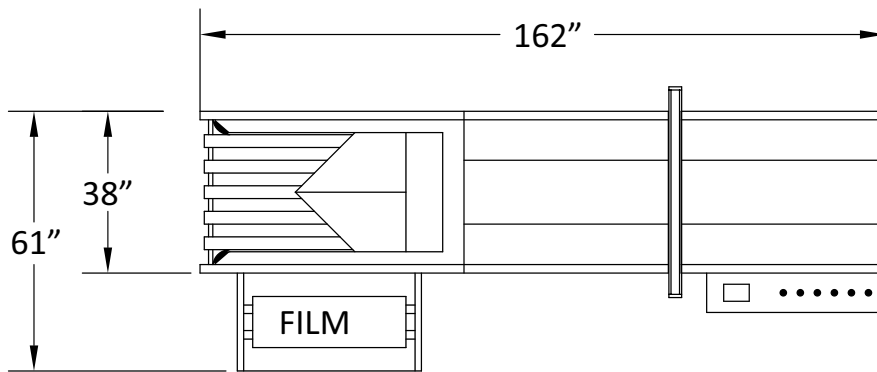
Film

- Max. film width:
37" Centerfolded (HCF37), 48" Centerfolded (HCF48)
- Max. film roll diameter: 20"
- Film type: centerfolded polyolefin, polyethylene or PVC

Product Sizes	Width	Length	Height
HCF37	27"	8"	16"
HCF48	38"	8"	19"

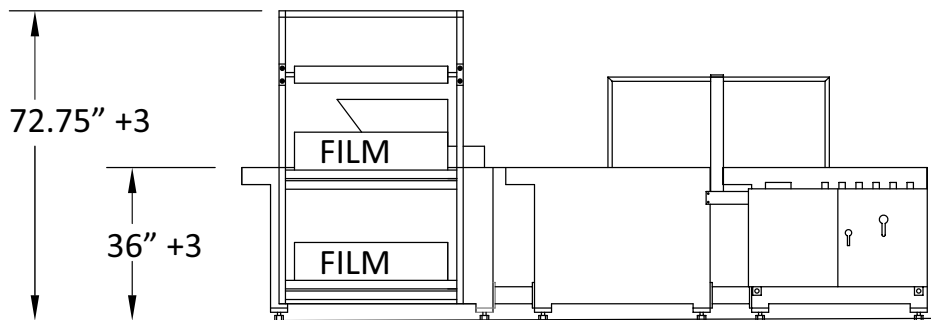
Specifications and product sizes may vary, depending upon the application.

Note: Final Layout May Vary



OPTIONS

- Customizable infeeds and product handling solutions
- Random pneumatic hole punch
- Additional plows
- Accumulation conveyor
- Thermal bottom lap seal
- HVP4/488 solid belt shrink tunnel



Round or Square Plow



Self-Tracking Conveyor Belts



Side Mounted Dual Film Cradles for Easy Film Loading

**Complete Aftermarket
Service & Support
for Your Packaging
Equipment**

SUPPORTPRO™

A DURAVANT SERVICE

Call **844.777.8776** for your regional tech

24/7 Help Available



THE DURAVANT FAMILY OF COMPANIES

ARPAC | FISCHBEIN INTERNATIONAL | FMH CONVEYORS | HAMER-FISCHBEIN | KEY TECHNOLOGY | MARLEN INTERNATIONAL | MESPACK | OHLSON | QC INDUSTRIES

www.duravant.com