

708HB-16

Shrink Bundler For The Health And Beauty Industry

ARPAC®

A DURAVANT COMPANY



APPLICATIONS

- Beauty products
- Vials
- Cosmetics
- Spices
- Glass bottles
- Spray cans
- Boxes
- Plastic bottles

MACHINE FEATURES

- Compact single-frame stainless steel construction
- Heavy-duty system for around-the-clock operation
- Laser cut and CNC machined components for maximum precision and strength
- Right or left-hand mounted infeed and controls
- Allen-Bradley® programmable logic controller
- ARPAC operator interface featuring an alphanumeric message display and self-diagnostics
- Simple setup and tool-less changeovers for ease of use and minimal downtime
- Low maintenance conveyor belts do not require tracking adjustments
- Motorized pulleys eliminate chain drives and operate more cleanly, with reduced maintenance cost and less noise
- Single stage right-angle infeed conveyor with Intralox belt
- Telescoping tunnel conveyor
- Bridge plate for small product transfer
- Conveyor elevation 35" +2/-0 for easy integration with existing equipment
- Powered film unwind
- NEMA 12 electrical cabinet and controls
- Low film alert warns that a film changeover will soon be necessary
- Quick-change seal bar with military-type quick disconnect and replaceable plasma coated inserts
- Product hold-down for light products
- Top and bottom film racks accommodate four 14" diameter rolls of film
- Easy to service air cylinders

- Separate pop-up guide and multiple ram stroke programming for multi-row collation
- No lubrication required for clean and easy maintenance
- Levelers for uneven floors

SPECIFICATIONS

Speed

- Up to 20 packages per minute, depending of product and film specs

Power Requirements

- Electrical: 208V, 230V or 460V, 3Ph, 60Hz
- Pneumatic: 80 psi, 8 CFM

Film

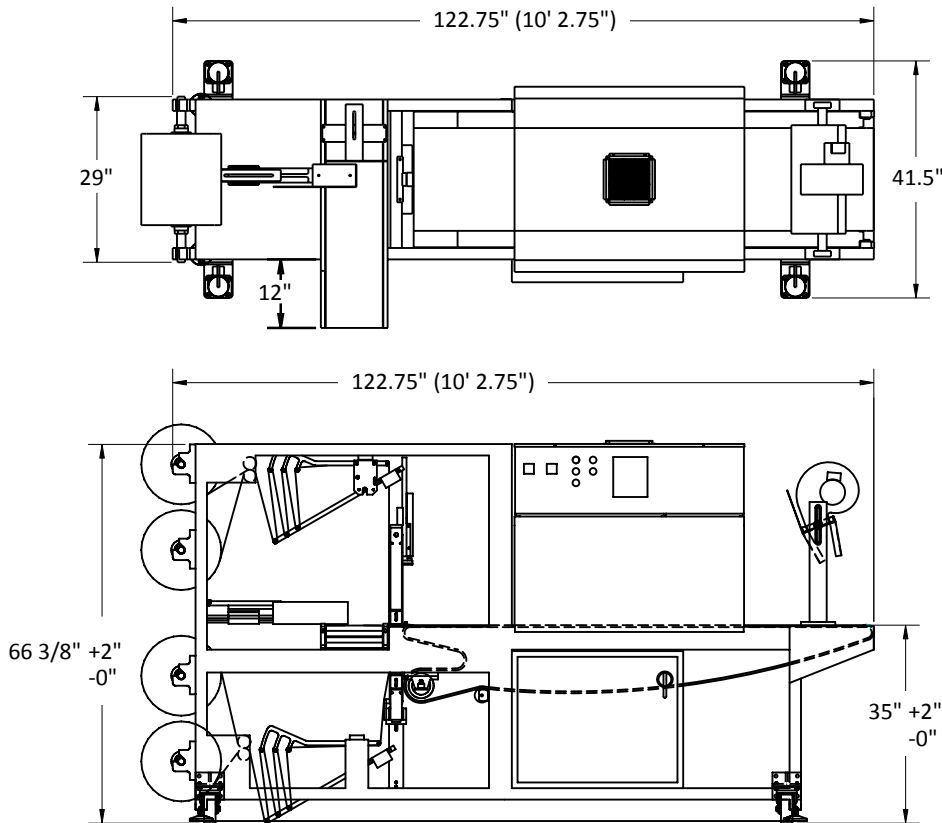
- Max. film width: 15"
- Max. film roll diameter: 14"
- Max. film gauge: 3 mil.
- Film type: polyethylene



	Width	Length	Height
Package Sizes	3/4" - 6"	3/4" - 11"	1/2" - 8"

Specifications and product sizes may vary, depending upon the application.

Final Layout May Vary



OPTIONS

- Turbo cooling section feature at the tunnel exit for quick product handling
- Application specific infeeds
- Easy open film perforation system



Fast Tool-Less Changeovers with Scales and Adjustable Handles



User-Friendly Operator Controls



Motorized Pulleys Replace Greasy Chains

**Complete Aftermarket
Service & Support
for Your Packaging
Equipment**

SUPPORTPRO™

A DURAVANT SERVICE

Call **844.777.8776** for your regional tech

24/7 Help Available



THE DURAVANT FAMILY OF COMPANIES

ARPAC | FISCHBEIN INTERNATIONAL | FMH CONVEYORS | HAMER-FISCHBEIN | KEY TECHNOLOGY | MARLEN INTERNATIONAL | MESPACK | OHLSON | QC INDUSTRIES

www.duravant.com