

# 25TW-28

## Intermittent Motion Tray Shrink Wrapper

# ARPAC®

A DURAVANT COMPANY



### TRAY APPLICATIONS

- Cans
- Jars
- Floor tiles
- Plastic bottles
- Glass bottles
- Plates



### MACHINE FEATURES

- Heavy-duty rugged construction designed for high durability and around-the-clock operation
- Laser cut and CNC machined components for maximum precision
- Durable, scratch resistant powder coat finish
- Allen-Bradley PanelView Plus600 operator interface with color touchscreen, message display and self-diagnostics
- Digital controls for fast and accurate setup when changing product size and film
- Single stage belt infeed conveyor for smooth and gentle product handling
- Durable Intralox conveyor belts eliminate tracking problems
- Bypass mode allows product to pass through the machine without being wrapped and without heating the tunnel
- Dual 14" dia. inline telescoping film racks for easy film loading
- Simple film threading procedure
- Easy access heater elements
- Compact, single frame design (wrapper with integrated tunnel)
- Turbo cooling feature for immediate product handling
- NEMA 12 electrical cabinet and controls
- Low film alert warns that a film changeover will soon be necessary
- Central point lubrication simplifies preventive maintenance

### SPECIFICATIONS

#### Speed

- Up to 25 trays per minute\*

#### Power Requirements

##### Electrical

- 460VAC, 3Ph, 60Hz, 35A, 28kW

##### Pneumatic

- 80 psi, 15 SCFM

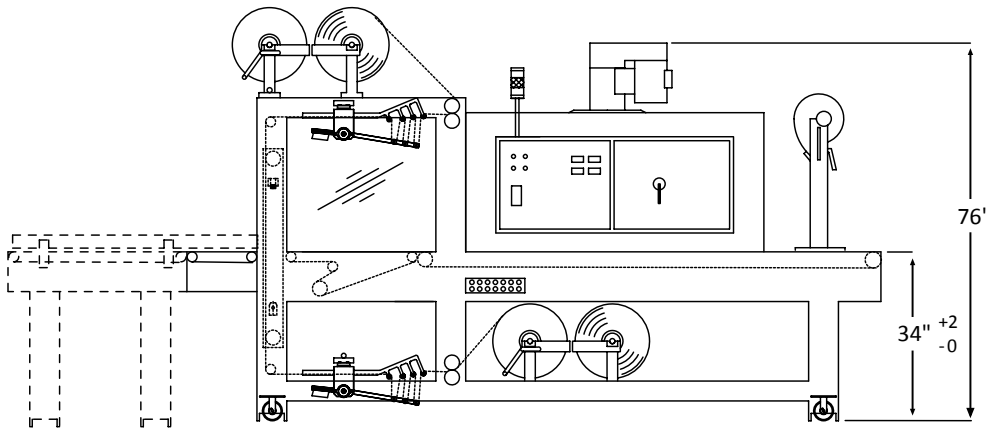
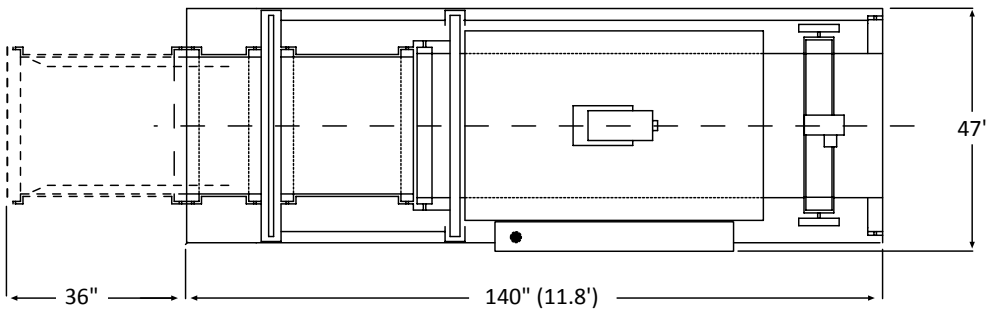
#### Product Range

- Width: 6" to 18"
- Length: 6.5" to 20"
- Height: 4" to 12" with 13" opening 2" to 10" with 11" opening

#### Film

- Max. film width: 27" single-wound
- Clear or randomly printed
- Film roll diameter: up to 14" with a 3" core
- Film gauge: up to 6 mil. maximum
- Film type: low density polyethylene (L.D.P.E.)

\* Dependent on tray size and film thickness used



Right hand model shown  
Opposite hand available on request

### OPTIONS

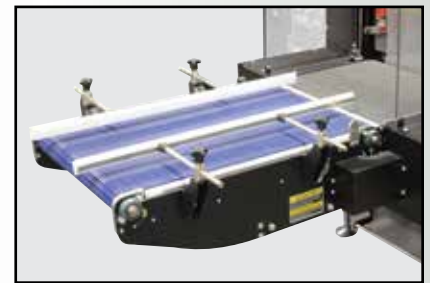
- Casters for easy machine portability
- Quick-change seal frame cylinder kit for higher speeds
- Pacing conveyor
- Low tension film assist
- Jib crane to assist with film loading
- Alternate seal frame opening changes product height range to 2"-10"
- Alternate voltages available: 208VAC, 230VAC, 575VAC
- Print registration - top film only
- Single or dual film cradle
- Right angle pusher w/conveyor into machine
- Seal Gap Bridge - roller or telescoping for product 3"-6" long



User-Friendly Operator Controls



Optional single or dual film cradles



Optional Pacing Conveyor  
Decelerates Product as it Enters the Infeed Conveyor

Complete Aftermarket  
Service & Support  
for Your Packaging  
Equipment

**SUPPORTPRO™**

A DURAVANT SERVICE

Call **844.777.8776** for your regional tech

24/7 Help Available



THE DURAVANT FAMILY OF COMPANIES

ARPAC | FISCHBEIN INTERNATIONAL | FMH CONVEYORS | HAMER-FISCHBEIN | KEY TECHNOLOGY | MARLEN INTERNATIONAL | MESPACK | OHLSON | QC INDUSTRIES

[www.duravant.com](http://www.duravant.com)